

SONANCE

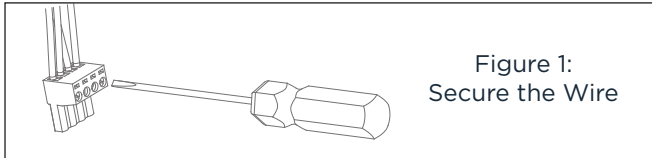
PROFESSIONAL SERIES IN-CEILING SPEAKERS QUICKSTART GUIDE

BOX CONTENTS

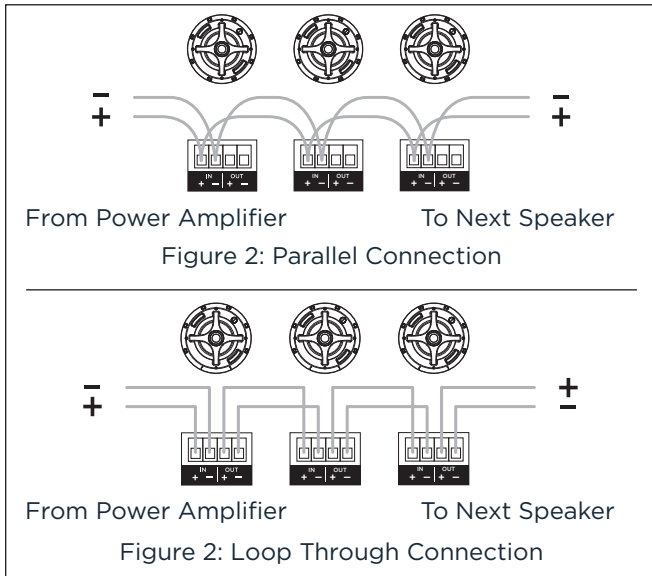
- (1) PS-C43RT, PS-C63RT, PS-C83RT, PS-C43RTLTP, PS-C63RTLTP, or PS-C83RWT
- (1) Speaker Grille in White (Black Optional)
- (2) Tile Support Rails
- (1) C-Ring
- (1) Cutout Template

INSTALLATION

1. Cut a hole in the drywall using the supplied cutout template.
2. Connect the wires from your amplifier to the Euroblock connector.
3. Strip approximately .1875" (5mm) of the insulation off each wire. Insert the wire into the correct square opening on the connector. Use a small flat head screwdriver to tighten the corresponding screw to secure the wire (see Figure 1).

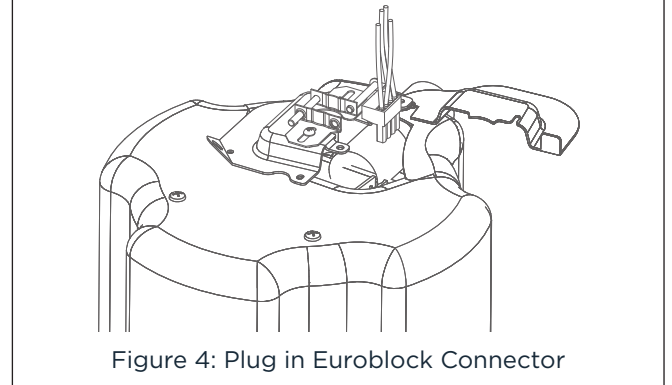


When using multiple speakers you can connect the speakers either in parallel or in the loop through method as shown (see Figure 2 & 3).

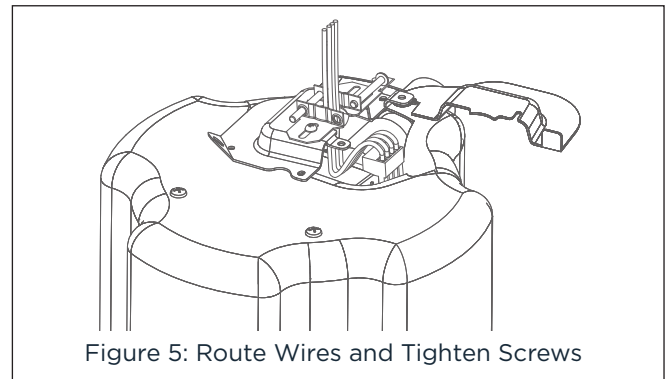


NOTE: IF SQUARE GRILLES ARE BEING USED THE ADAPTER FRAME MUST BE INSTALLED.

4. Once all the wires are terminated, plug the green Euroblock connector into the back of the speaker (see Figure 4).

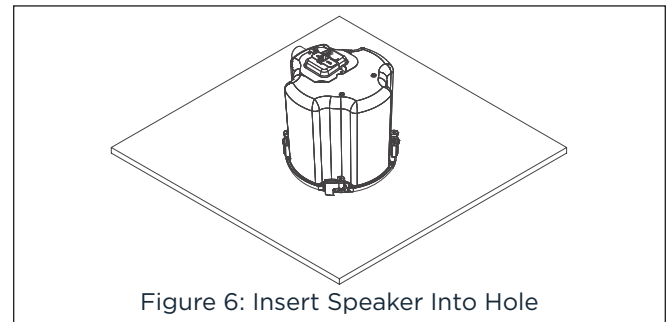


Route the wires through the Strain Relief Fitting on the back of the speaker. Tighten the screws on the strain relief to clamp the wires. Make sure not to over-tighten the screws and damage the wire (see Figure 5).



5. Make sure the Roto-Lock Clamps are in the full clockwise position so that all the clamps are tucked within the cutout border. Insert the speaker into the hole in the ceiling (see Figure 6).

NOTE: THE MAXIMUM CLAMP THICKNESS IS 1.732" (44MM). TO ACHIEVE MAXIMUM THICKNESS, UNSCREW AND REVERSE THE FOOT OF THE ROTO-LOCK CLAMPS. FOR DETAILS ON FLEX BRACKET GO TO WWW.SONANCE.COM



SAFETY PRECAUTION: ATTACHING THE SEISMIC TAB TO A SUPPORT LINE IS HIGHLY RECOMMENDED FOR ADDITIONAL SAFETY.

- Tighten the four screws on the front of the baffle. The Roto-Lock Clamps will rotate into position automatically and begin clamping. When you notice resistance on the four screws, the speaker has been clamped successfully. The flange is designed to flex and conform to any small imperfections in the ceiling surface.
- Set the transformer tap selector. Set the volume of each speaker until the system is completely installed (see Figure 7).

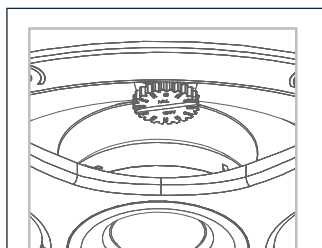


Figure 7:
Transformer Tap
Selection

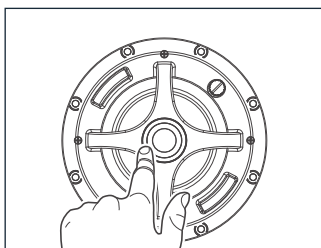


Figure 8:
Pivot Drivers

- Pivoting tweeter assembly allows the treble to be directed to the most suitable location if the speaker is installed of-axis. To pivot the drivers apply light pressure to the ring around the outside edge of the tweeter cone. Take care not to touch or apply pressure to the cone itself (see Figure 8).
- After the speaker is installed, and transformer tap adjustments are made, the grille can be installed. The grille is held in place by several small, powerful magnets on the speaker frame. Place the grille against the speaker and the magnets will hold it firmly in place. When properly installed, the grille should make contact with the wall all the way around the speaker (see Figure 9).

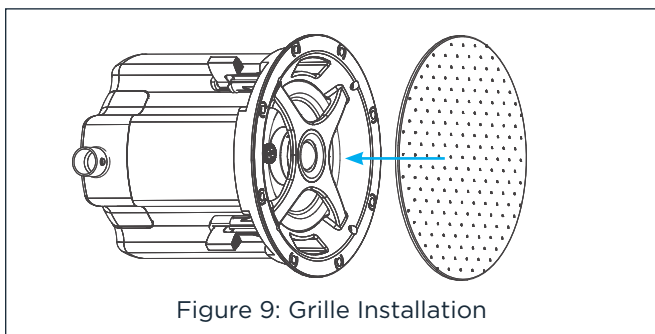


Figure 9: Grille Installation

DROP CEILING INSTALLATION

- The included C-bracket and tile support rails should be used in all suspended ceiling installations. The C-bracket and tile support rails can also be used in installations when the speakers are mounted into material that will not support their weight. Insert the two tile support rails and C-bracket through the hole you have cut, placing them as shown. Using the two screws that are supplied, screw the C-bracket to the tile support rails as shown (see Figure 10 and 11). After the C-bracket and tile support rails are installed follow Step 2 through 8 in the previous installation instructions.

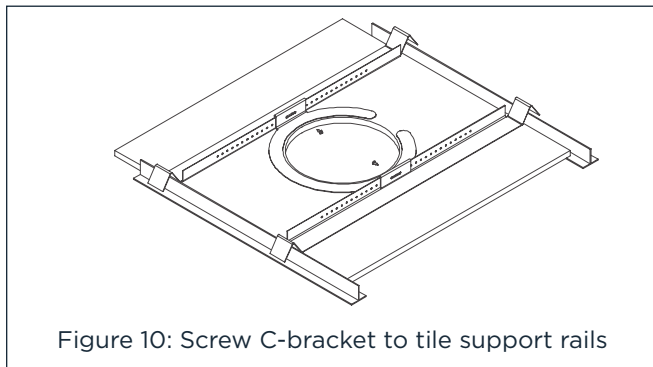


Figure 10: Screw C-bracket to tile support rails

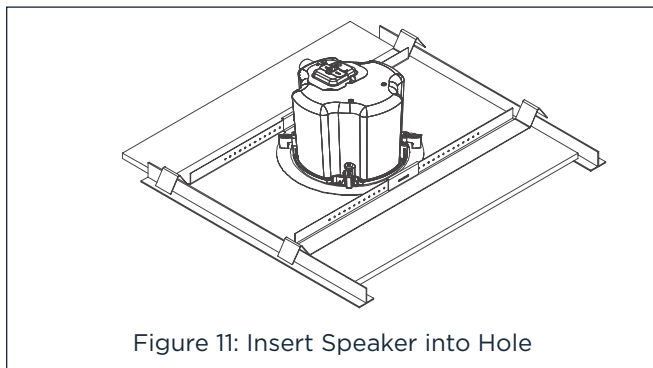


Figure 11: Insert Speaker into Hole

SAFETY PRECAUTION: ATTACHING THE SEISMIC TAB TO A SUPPORT LINE IS HIGHLY RECOMMENDED FOR ADDITIONAL SAFETY.



For warranty information and detailed installation support, access the full manual here. For technical support call 949.492.7777 or visit www.sonance.com

©2025 Sonance. All rights reserved. Sonance is a registered trademark of Dana Innovations. Due to continuous product improvement, all features and specifications are subject to change without notice. For the latest Sonance product specification information visit our website: www.sonance.com

SONANCE • 991 Calle Amanecer • San Clemente, CA 92673 • (949) 492-7777
UK IMPORTER • Habitech Ltd. • The London Centre • Wade Road, Basingstoke, Hampshire, RG24 8FL 01.17.2025